

LD3000 系列Camera Link线扫描CCD工业相机

LD3000 Series Camera Link Line Scan CCD Cameras

产品简介 (Overview)

高性能、60M输出速度、Camera Link

High Performance, Up to 60MHz Output, Camera Link

LD3000 系列线扫描CCD工业数字相机覆盖了2048~7450像素线扫描CCD传感器，可与我公司生产的CLPCI系列高速数据采集卡完全兼容。相机内部集成了高性能的AFE模块及高精度的AD采样器，用户可通过Camera Link接口及简单易用的Windows配置软件进行相机工作模式、积分时间调整、增益和偏置调整；外同步输入则可进行多相机并行工作设置，具有高稳定性、高可靠性和高性价比的优点，尤其适用于表面检测、图像扫描等工业现场应用。

The LD3000 series camera Link line scan cameras offers superb image sensing quality, versatility and easy implementation, even at high-speed data acquisition. This series of products, has a compact mechanical design incorporates monochrome or color linear sensors from 2048 to 7450 pixels, fully compatible with our CLPCI series PCI data capture cards. The programmable settings via Camera Link let the user work at different integration time, gains and offsets. The external trigger enable synchronization of several cameras.

The performance and reliability of this series of products make it well-suited for most demanding industrial applications, from web inspection to document scanning, from surface inspection to metrology.

规格 (Specifications)

分辨率 (Resolution)	2048 / 5150 / 7450
像素尺寸 (Pixel Size)	14×14 / 7×7 / 4.7×4.7 (μm×μm)
数据率 (Data Rate)	20MHz to 60MHz
最高行频 (MAX. Line Rate)	11.9KHz / 7.5KHz / 6.5KHz
数据格式 (Data Format)	8bit / 12bit
输出 (Output)	Camera Link Base
增益调整范围 (Gain Range)	0dB to 24dB (MAX. 16V/V) with 10bit resolution
偏置调整范围 (Offset Range)	-300mV to +300mV with 8bit resolution
镜头接口 (Lens Mount)	F Type / K Type / M42×1 Type / C Type
电源 (Power Supply)	+12V/+5V dual power input
功耗 (Power Dissipation)	<3W
工作温度 (Operating Temp.)	0°C to 50°C
尺寸 (Size)	65mm(W)×61mm(H)×43mm(L)
重量 (Mass)	<320g
电源输入 (Power Connector)	Hirose 4 pin compatible
数据 (Data Connector)	MDR26 Camera Link
相机控制 (Camera Control)	Shared with data



产品特性 (Features)

- 2048~7450有效像素 (2K~7.5K resolution);
- Camera Link Base接口 (Camera Link Base data Format);
- 60M像素/s输出频率 (High data rate up to 60MPixels/s);
- 小型化设计 (Compact design);
- 串行相机配置 (Flexible serial control);
- 多种镜头接口 (Variable lens mount available);
- 外同步功能 (Ext. sync.)

可编程性 (Programmability)

- 积分时间及行频设定 (Adjustable integration time and line rate);
- 数字增益及数字偏置调整 (Digital gain and offset control);
- 测试图像输出 (Test image output);
- 同步模式设置 (Internal/Ext. sync);

典型应用 (Typical Applications)

- 玻璃表面缺陷检测 (Glass surface inspection);
- 自动光学检测 (AOI);
- 智能交通 (Intelligent traffic systems);
- 图像扫描应用 (Document scanning and imaging);
- 尺寸及振动测量 (High-speed metrology);
- 光谱探测与分析 (Spectral analysis);
- 科研及教学 (College & study);
- 通用机器视觉 (General machine vision);



www.automv.com.cn

May 2010

天津市奥特梅尔光电科技有限公司 Auto-Measurements & Vision Technology Co., Ltd.

天津市华苑产业园区兰苑路9号1-404室 1-404, Lanyuan Lu Str.9, Huayuan Hi-Tech Industry Park, XiQing, Tianjin, P.R.China

TEL: +86-(0)22-8371 9418 +86-(0)22-8371 1843

Email: sales@automv.com.cn

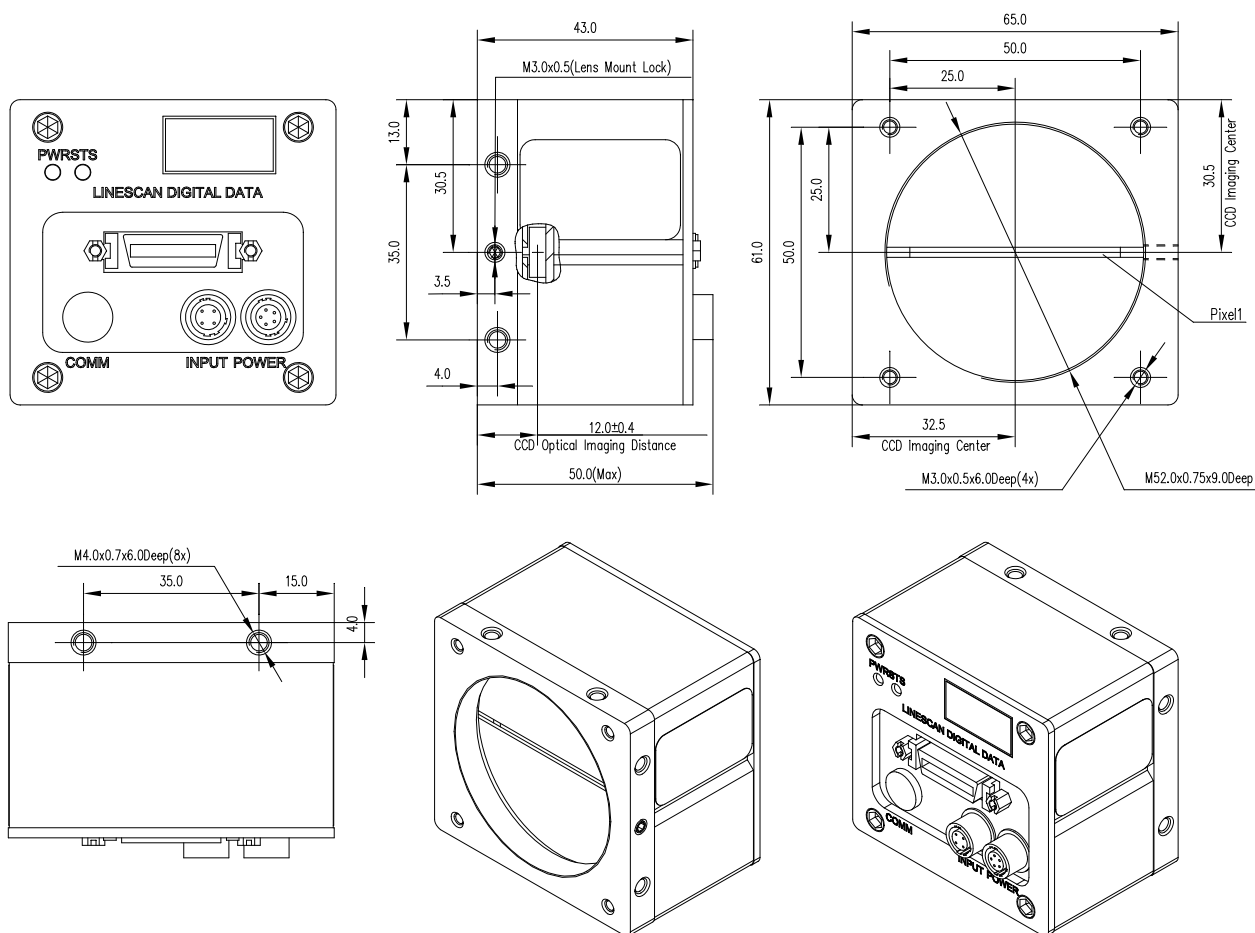
LD3000 系列Camera Link线扫描CCD工业相机

LD3000 Series Camera Link Line Scan CCD Cameras

型号列表 (Order Info)

型号 Order Number	有效像素 Resolution	像素尺寸 Pixel Size ($\mu\text{m}\times\mu\text{m}$)	数据率 Data Rate	最高行频 MAX Line Rate	数据格式 Data Format	电源 Power Supply	说明 Notice
LD311CB-2048	2048	14×14	20MHz	9.5KHz	8bit / 12bit	+12V / +5V	B/W
LD311CB-2048D	2048	14×14	25MHz	11.9KHz	8bit / 12bit	+12V / +5V	B/W
LD3208B-5150	5150	7×7	40MHz	7.5KHz	8bit	+12V / +5V	B/W
LD3208B-7450	7450	4.7×4.7	40MHz	5.2KHz	8bit	+12V / +5V	B/W
LD3208B-7450A	7450	4.7×4.7	50MHz	6.5KHz	8bit	+12V / +5V	B/W

尺寸 (Mechanical) 单位 (Unit): mm



说明: INPUT连接器为选配安装 (The TTL INPUT connector is optional).



www.automv.com.cn

May 2010

天津市奥特梅尔光电科技有限公司 Auto-Measurements & Vision Technology Co., Ltd.

天津市华苑产业园区兰苑路9号1-404室 1-404, Lanyuan Lu Str.9, Huayuan Hi-Tech Industry Park, XiQing, Tianjin, P.R.China

TEL: +86-(0)22-8371 9418 +86-(0)22-8371 1843

Email: sales@automv.com.cn